

LA Angle Broom with Casters

Sweepster's hydraulic drive windrow sweeper is made for large loaders, tractors and trucks. Thirty degree angling, parallel linkage mounting, and heavy duty casters on the LA mean low maintenance and long brush life.


BRADCO

FFC

HARLEY

THE MAJOR

McMILLEN

SWEEPSTER
PALADIN LIGHT CONSTRUCTION

Features

- 32 inch brushes for extended brush life
- Brush drive slips easily out of the core without removing hydraulic lines from the wheel motors
- Brush core is reversible from end to end for even brush wear
- Powered by two orbital hydraulic motors mounted in side brush frame, coupled to core by keyed tapered shaft
- Third valve required to operate sweeper / fourth valve required to operate optional hydraulic angle change
- Parallel linkage allows sweeper to follow ground contours
- Manual angle or hydraulic angle 30 degrees left or right
- Choose poly, wire, or poly/wire brush
- Casters are standard



LA Angle Broom with Casters

Options:

- Hydraulic angle change kit
- Independent hydraulic system
- 180 degree brush hood (factory installed)
- Sprinkler system
- Dirt deflector
- Sight indicators

Specifications

Front Mount Hydraulic Drive with Parallel arm suspension

96" & 108" models have quick change core design

Model	21196	21197	21108	21109
A. Max Width at 0° Articulation	106.5"	106.5"	118.5"	118.5"
B. Max Length at 0° Articulation	74.5"	74.5"	74.5"	74.5"
C. Max Width at Full Articulation	103.0"	103.0"	113.0"	113.0"
D. Max Length at Full Articulation	89.0"	89.0"	92.5"	92.5"
Motors	single	dual	single	dual
Brush Diameter	32.0"	32.0"	32.0"	32.0"
Weight (lbs.)	1,675	1,700	1,925	1,950

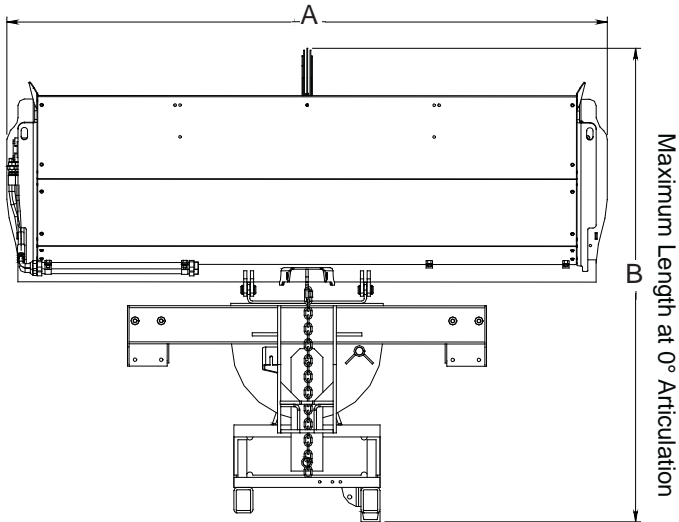
Range of Hydraulic Oil Flow

Single Motor	25 cubic inches	12 to 25 gpm
Dual Motor	18 cubic inches	18 to 36 gpm

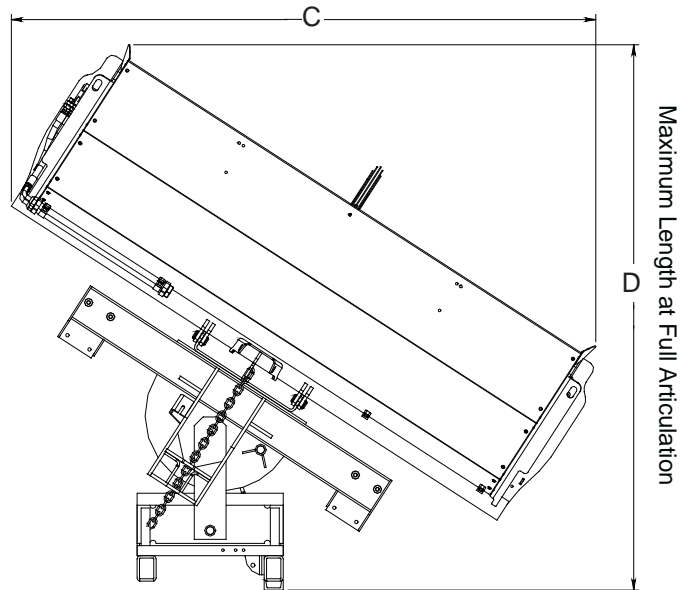
Range of Hydraulic Oil Pressure

Single Motor	25 cubic inches	3000 psi
Dual Motor	18 cubic inches	3500 psi

Maximum Width at 0° Articulation



Maximum Width at Full Articulation



PH: (800) 456-7100
FX: (734) 996-9014

2800 North Zeeb Road
Dexter, MI 48130
United States of America

www.sweepsterattachments.com

LA/WinDraw 0806-1



PALADIN LIGHT CONSTRUCTION